

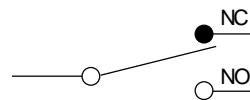


TZ-6 Sealed Limit Switch

Features

- Built-in CM miniature limit switch, strong aluminum cast shell, design for water-proof and oil-proof
- It is the same as CM micro switch in the rated value and characteristics
- Various of actuators that are taken convenience for using
- Each switch is equipped with cable fixator, including rubber boot, metallic washer, plastic screw nut

Contact Form

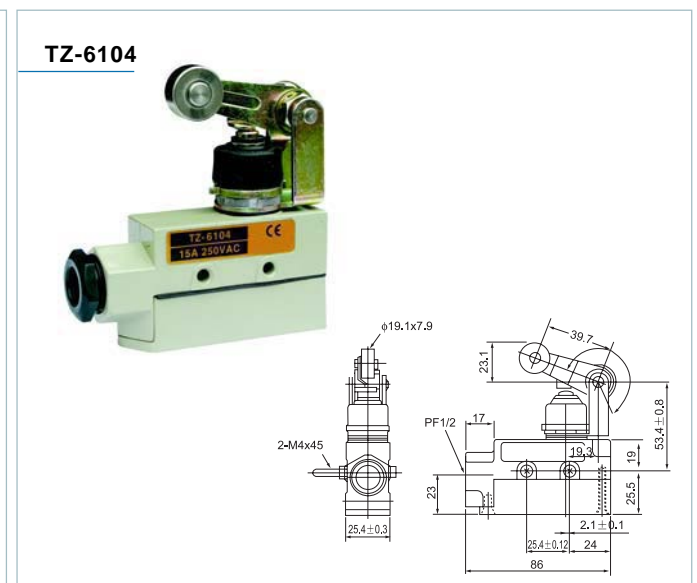
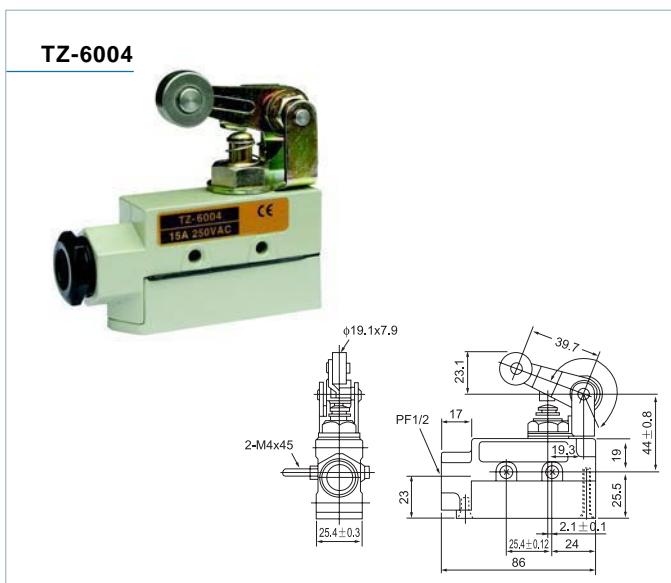


Operating characteristics

Models	TZ-6001	TZ-6002	TZ-6003	TZ-6004	TZ-6043
OF Max.	250~350g	250~350g		570g	570g
RF Min.	114g	114g		170g	170g
PT Max.	0.4mm	0.5mm		4mm	4mm
OT Min.	5.5mm	3.6mm		6mm	6mm
MD Max.	0.05mm	0.05mm		0.4mm	0.4mm
OP	38.2 ± 0.8mm	49.7 ± 1mm			

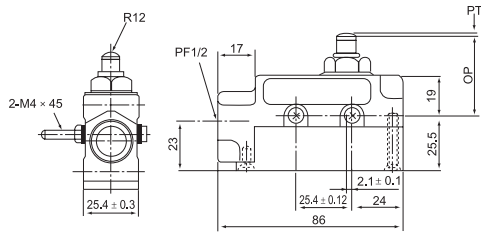
Models	TZ-6101	TZ-6102	TZ-6103	TZ-6104	TZ-6143
OF Max.	800g	500g		640g	640g
RF Min.	240g	100g		230g	230g
PT Max.	2mm	1mm		5mm	5mm
OT Min.	5mm	3.5mm		6mm	6mm
MD Max.	0.1mm	0.12mm		0.4mm	0.4mm
OP	45.8 ± 0.8mm	49.7 ± 0.8mm			-

Appearance and dimension

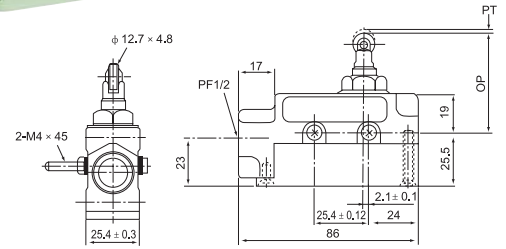


TZ-6 Sealed Limit Switch

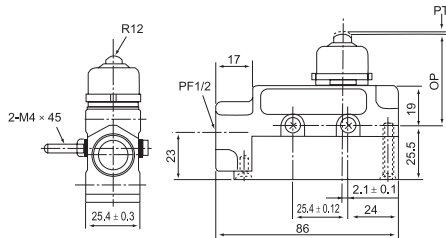
TZ-6001



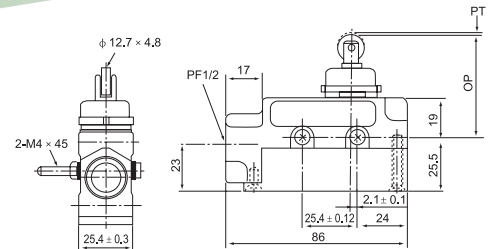
TZ-6002



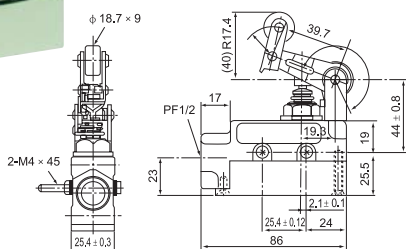
TZ-6101



TZ-6102



TZ-6143



TZ-6106

