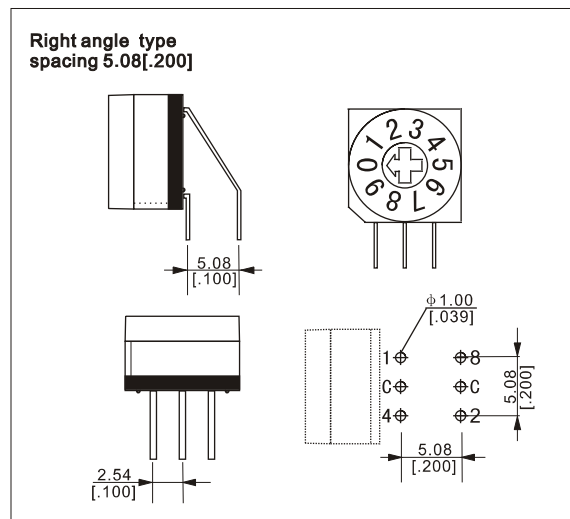
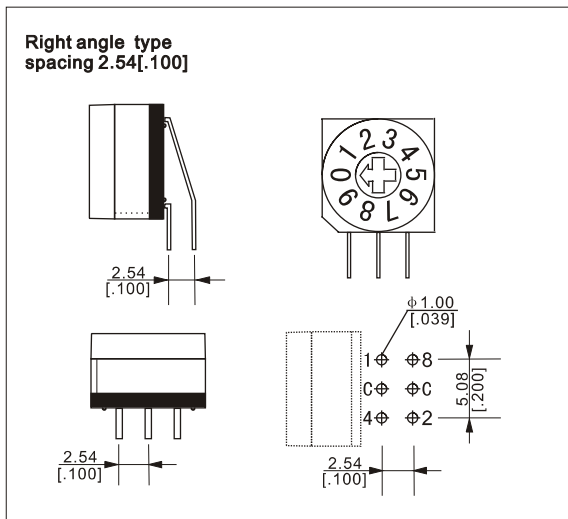
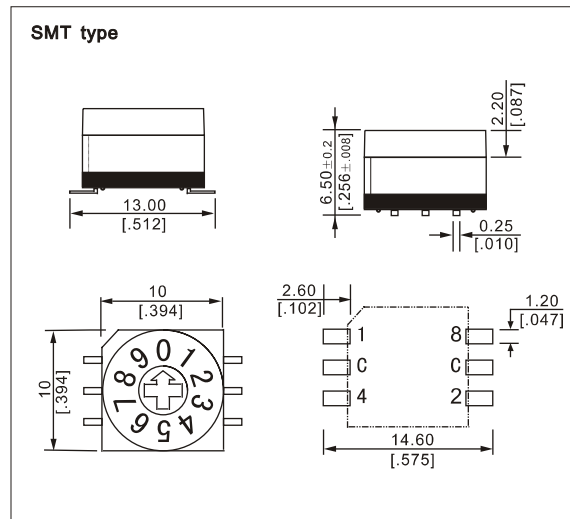
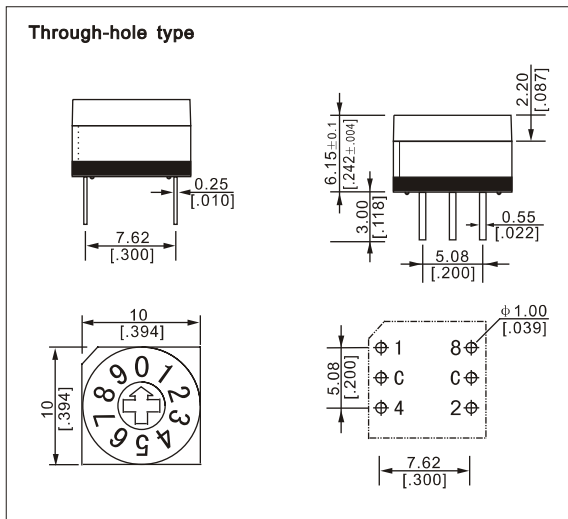


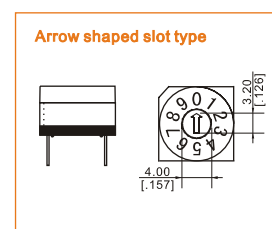
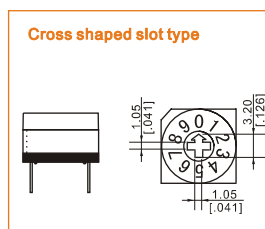
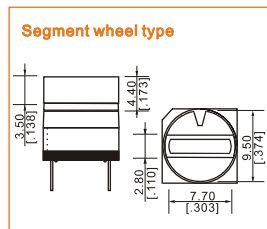
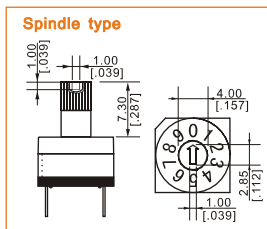


- Through-hole & SMT type
- Highly reliable
- Solder and flux sealed, washable

SWITCH



## ACTUATORS



## CODES / TRUTH TABLES

10		BCD					
	C	1	2	4	8		
0	●					0	
1	●	●				1	
2	●		●			2	
3	●	●	●			3	
4	●			●		4	
5	●	●		●		5	
6	●		●	●		6	
7	●	●	●	●		7	
8	●				●	8	
9	●	●			●	9	

▲ Position      ▲ Marking

10C		BCD complement					
	C	1	2	4	8		
0	●	●	●	●	●	0	
1	●		●	●	●	1	
2	●	●		●	●	2	
3	●			●	●	3	
4	●	●	●		●	4	
5	●		●		●	5	
6	●	●			●	6	
7	●				●	7	
8	●	●	●	●		8	
9	●		●	●		9	

▲ Position      ▲ Marking

16		Hexadecimal					
	C	1	2	4	8		
0	●					0	
1	●	●				1	
2	●		●			2	
3	●	●	●			3	
4	●			●		4	
5	●	●		●		5	
6	●		●	●		6	
7	●	●	●	●		7	
8	●				●	8	
9	●	●			●	9	
10	●		●		●	A	
11	●	●	●		●	B	
12	●			●	●	C	
13	●	●		●	●	D	
14	●		●	●	●	E	
15	●	●	●	●	●	F	

▲ Position      ▲ Marking

16C		Hexadecimal complement					
	C	1	2	4	8		
0	●	●	●	●	●	0	
1	●		●	●	●	1	
2	●	●		●	●	2	
3	●			●	●	3	
4	●	●	●		●	4	
5	●		●		●	5	
6	●	●			●	6	
7	●				●	7	
8	●	●	●	●		8	
9	●		●	●		9	
10	●		●		●	A	
11	●	●		●		B	
12	●	●	●			C	
13	●		●			D	
14	●	●				E	
15	●					F	

▲ Position      ▲ Marking

## ELECTRICAL SPECIFICATIONS

Operating voltage: 24 VDC max.  
 Contact load,static: 400mA max.  
 Contact load,dynamic: 150mA max.  
 Initial contact resistance: 80mΩ max.  
 Insulation resistance: 100MΩ min.

## SOLDER RECOMMENDATIONS

Hand soldering: 340°C max. for 2 seconds max.  
 Wave soldering: 260°C max. for 10 seconds max.

## PACKING

Switches are shipped in standard IC Tube Package, and it is 47 pcs per tube. and the accessories is bags.

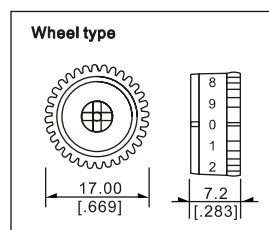
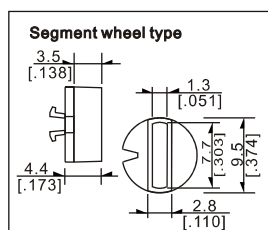
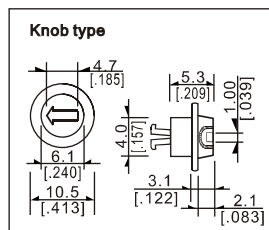
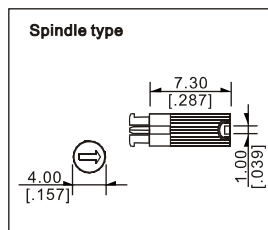
## MECHANICAL DATA

Expected life: 10,000 steps  
 Position per rotation: 10, 16  
 Operating temperature: -20°C to +70°C

## MATERIALS

Base: engineering plastics  
 Cover: engineering plastics  
 Actuator: engineering plastics  
 Contacts: alloy copper,gold over nickel plated  
 Terminals: alloy copper,tin plated

## ACCESSORIES



## ORDER INFORMATION

