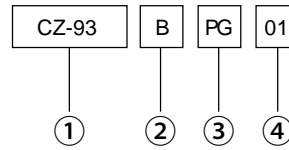




# CZ-93

## Safety Key Interlock Switch

### Model designations



Designation	Signal	Description
1.Type	CZ-93	Safety switch
2.Type of contact blocks fitted	B	2B(2NC)
	C	1A1B(NO-NC)
3.Conduit entries	PG	PG 13.5XP1.5
	PT	PT1/2X14UNC
4.Actuating keys	None	None
	01	Horizontal
	02	Vertical
	03	Adjustable

### Ratings

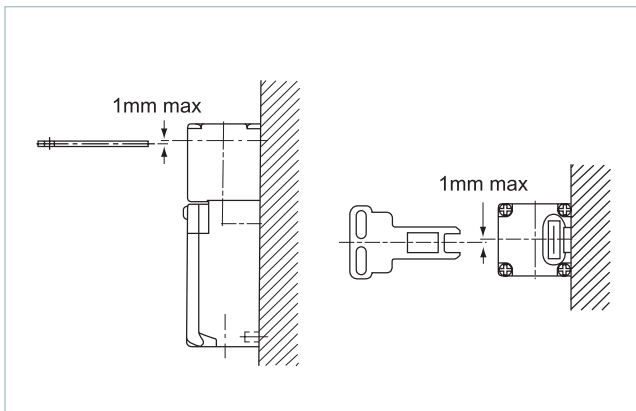
Rated voltage	Noninductive load (A)				Inductive load (A)			
	Resistance load		Lamp load		Inductive load		Motor load	
	NC	NO	NC	NO	NC	NO	NC	NO
125 VAC	10	3	1.5	10	5	2.5		
250 VAC	10	2	1	10	3	1.5		
400 VAC	10	1.5	0.8	3	1.5	0.8		
8 VDC	10	6	3	10	6	6		
14 VDC	10	6	3	10	6	6		
30 VDC	6	4	3	6	4	4		
125 VDC	0.8	0.2	0.2	0.8	0.2	0.2		
250 VDC	0.4	0.1	0.1	0.4	0.1	0.1		

### Characteristics

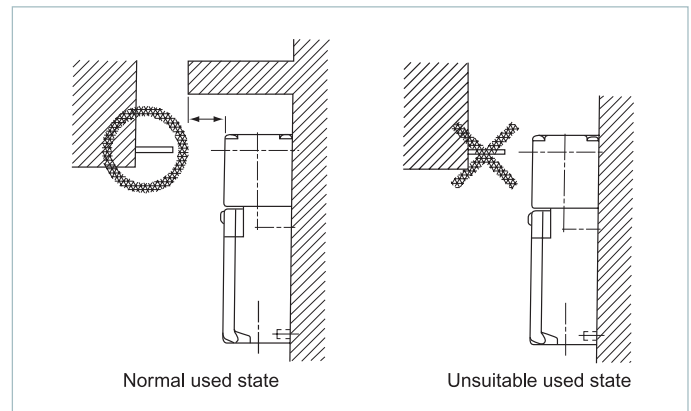
Rating	3A 240VAC (A300)
Operating speed	0.1m ~0.5m/s
Operating frequency	30 operations/minute
Contact resistance	25m Ω max. (initial).
Insulation resistance	100m Ω min. (at 500VDC)
Rated insulation voltage(UI)	400V
Dielectric strength	AC2500V/Umip 4KV
Vibration	10 to 55Hz, 0.65mm double amplitude
Shock	Mechanical: Approx. 1000m/s <sup>2</sup> (Approx. 100G'S)
	Electrical: Approx. 300m/s <sup>2</sup> (Approx. 30G'S)
Ambient temperature	-30℃~+70℃
Ambient Humidity	Blow 95RH
Life	Mechanical: 10,000,000 operations/min.
	Electrical: 150,000 operations/min.
Degree of protection	IP65(EN60947-5-1)
Short-circuit protective device	10A fuse
Weight	Approx. 76g

### Use attention affair

To prevent the wear and the space should be within 1mm between the key and middle of the insert hole.

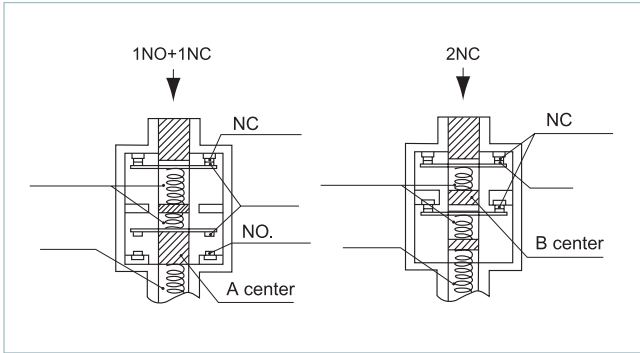


When in use, there should put a plate on the top to prevent the key overinsert. To prevent nonmovement, the space between the plate and the switch should be under 3 mm.



# CZ-93 Safety Key Interlock Switch

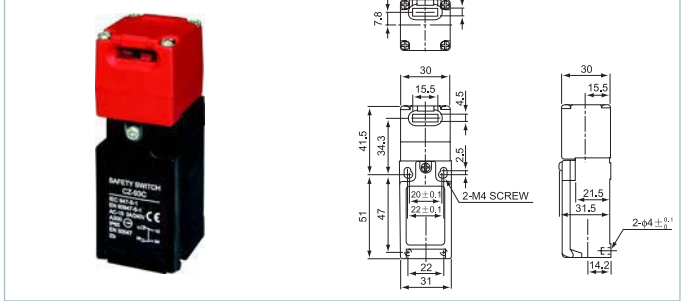
## Required to have positive machine



When the contact block get fire,press on the middle of the key structure, the NC strict leaving structure can push the contact block a way cut off the movement.

## Appearance and dimension

### CZ-93BPG BPT CPG CPT

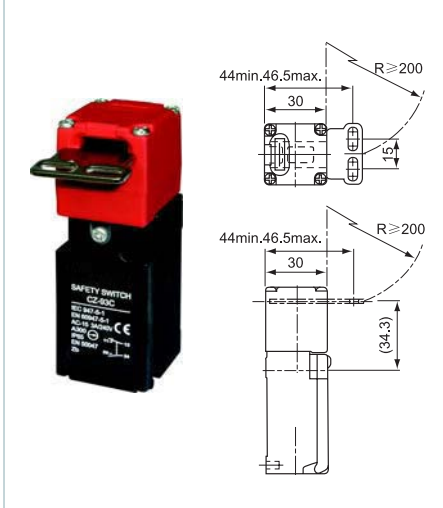


## Operating characteristics

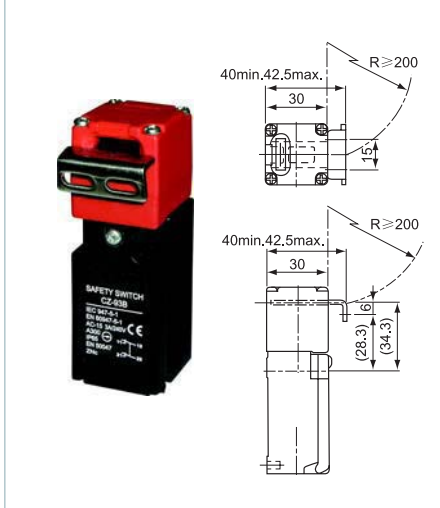
Key plug in force	max.	147.N(1,500gf)
key pull out force	max.	29.42N(3,000gf)
Pretravel		6 ± 3mm
Total travel		(28mm)
Force required to have positive	min.	58.84N(6,000gf)
Positive opening travel	min.	10mm

## Appearance and dimension

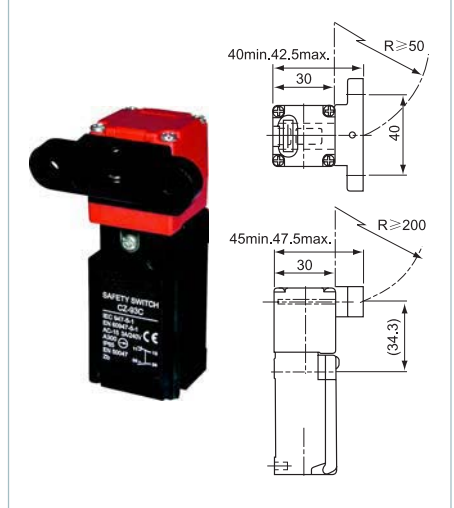
### CZ-93BPG01 BPT01 CPG01 CPT01



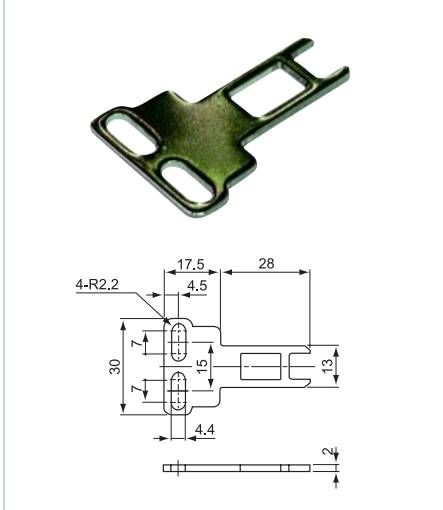
### CZ-93BPG02 BPT02 CPG02 CPT02



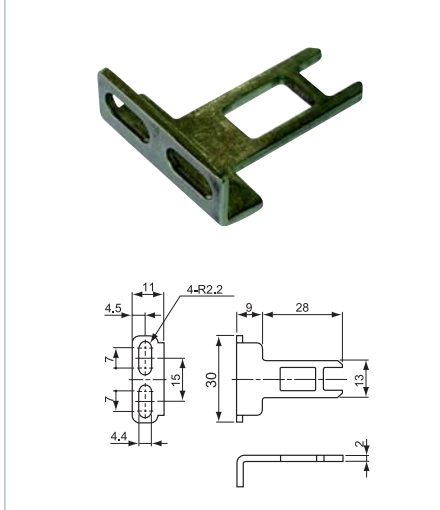
### CZ-93BPG03 BPT03 CPG03 CPT03



### CZ93-K1



### CZ93-K2



### CZ93-K3

