



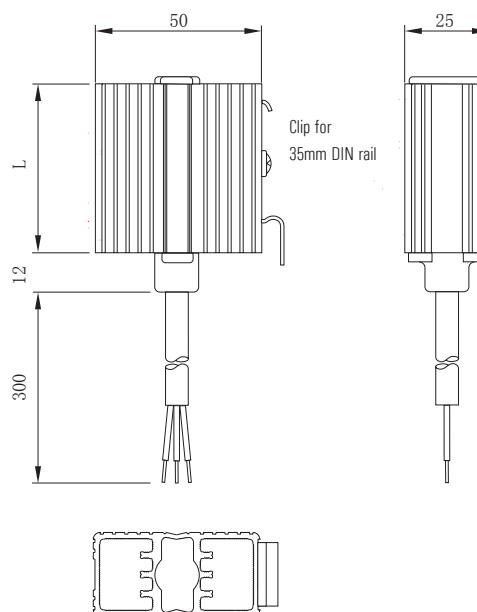
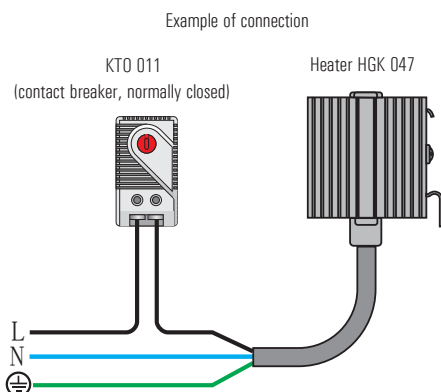
- Dynamic heating up
- Energy saving
- Wide voltage range
- Temperature limiting
- Clip fixing

The heaters are used in enclosures where condensation is to be prevented or the temperature may not fall below a minimum value. In this way corrosion is avoided and an even temperature is ensured.



Technical Data

Heating element	PTC resistor, self regulating and temperature limiting
Heater body	extruded aluminium profile, anodised
Mounting	clip for 35mm DIN rail, EN 50022
Fitting position	vertical
Operating/Storage temperature	-45 to +70°C (-49 to +158°F)
Protection type / Protection class	IP54 / I (earthed)
Accessories	screw fixing, Art. No. 09024.0-00 (1 packing unit = 2 pieces)



Art. No.	Operating voltage	Heating capacity ¹⁾	Inrush current max.	Length (L)	Weight (approx.)	Connection	Approvals
04700.0-00	120-250V AC/DC ²⁾	10W	1.0A	50mm	0.10kg	3 x 0.5mm ² x 300mm sheathed cable (silicone)	VDE
04701.0-00	120-250V AC/DC ²⁾	20W	2.5A	60mm	0.20kg	3 x 0.5mm ² x 300mm sheathed cable (silicone)	VDE
04702.0-00	120-250V AC/DC ²⁾	30W	3.0A	70mm	0.20kg	3 x 0.5mm ² x 300mm sheathed cable (silicone)	VDE
04700.9-00	110-120V AC/DC	10W	1.0A	50mm	0.10kg	3 x AWG 20 x 300mm sheathed cable	UL File No. E150057
04701.9-00	110-120V AC/DC	20W	1.5A	60mm	0.20kg	3 x AWG 20 x 300mm sheathed cable	UL File No. E150057
04702.9-00	110-120V AC/DC	30W	1.5A	70mm	0.20kg	3 x AWG 20 x 300mm sheathed cable	UL File No. E150057

¹⁾ at 20°C (68°F) ambient temperature ²⁾ Operating with voltages below 140V AC/DC reduces heating performance by approx. 10%.