



- **Compact design**
- **Double insulated**
- **Integrated thermostat or hygrostat**
- **Optional clip or screw fixing**

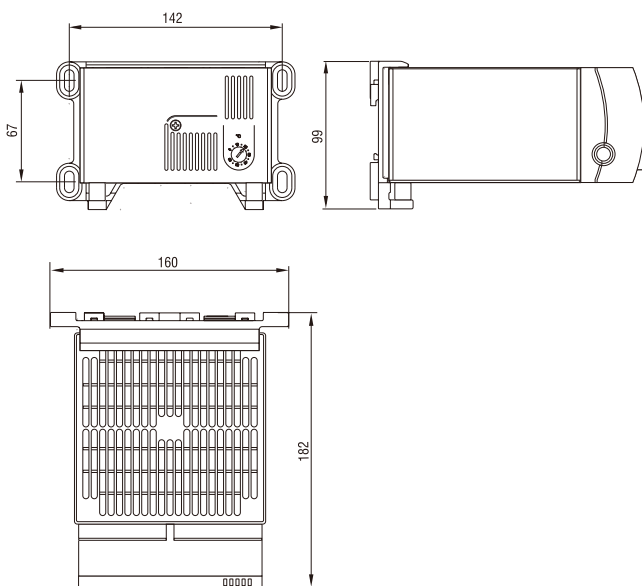
The compact high performance fan heater prevents formation of condensation and provides an evenly distributed interior air temperature in enclosures with electric/electronic components. The plastic enclosure provides double insulation and acts as protection against contact. The fan heater is available with integrated thermostat or pre-set hygrostat for temperature or humidity control. The CR 130 was designed as a stationary unit for wall fixing. For fixing on the bottom of the enclosure the fan heater CR 030 is recommended.



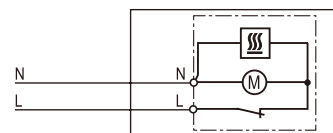
Technical Data

Heating element	high performance cartridge
Temperature safety cut-out	to protect against overheating in case of fan failure, automatic reset
Heater body	extruded aluminium profile
Axial fan, ball bearing	airflow 160m³/h, free flow service life 50,000h at 25°C (77°F)
Connection	2-pole max. 2.5mm², clamping screw with strain relief, torque 0.8Nm max.
Casing	plastic according to UL94 V-0, black
Mounting	clip for 35mm DIN rail, EN 50022 or screw fixing (M6)
Fitting position	horizontal
Dimensions	182 x 160 x 99mm
Weight	approx. 1.45kg
Operating* / Storage temperature	-45 to +70°C (-49 to +158°F)
Protection type / Protection class	IP20 / II (double insulated)
Note	other heating capacities from 200W up available on request

*Operating temperature of heater with integrated hygrostat: 0 to +60°C (+32 to +140°F)



Connection diagram



Art. No.	Model	Operating voltage	Heating capacity	Setting range	Approvals
13051.0-00	Fan Heater with thermostat	230VAC, 50/60Hz	950W	0 to +60°C	VDE + UL File No. E234324*
13051.0-02	Fan Heater with hygrostat	230VAC, 50/60Hz	950W	65% RH, factory-set	VDE + UL File No. E234324*
13059.9-00	Fan Heater with thermostat	120VAC, 50/60Hz	950W	+32 to +140°F	UL File No. E234324*

*according to UL499 in combination with UL508A